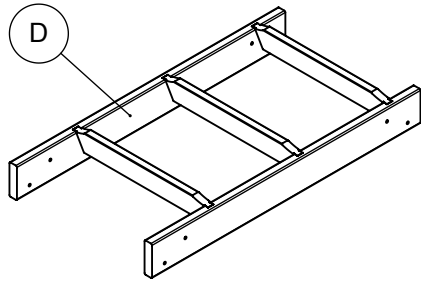

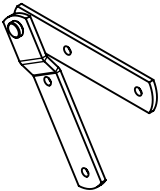





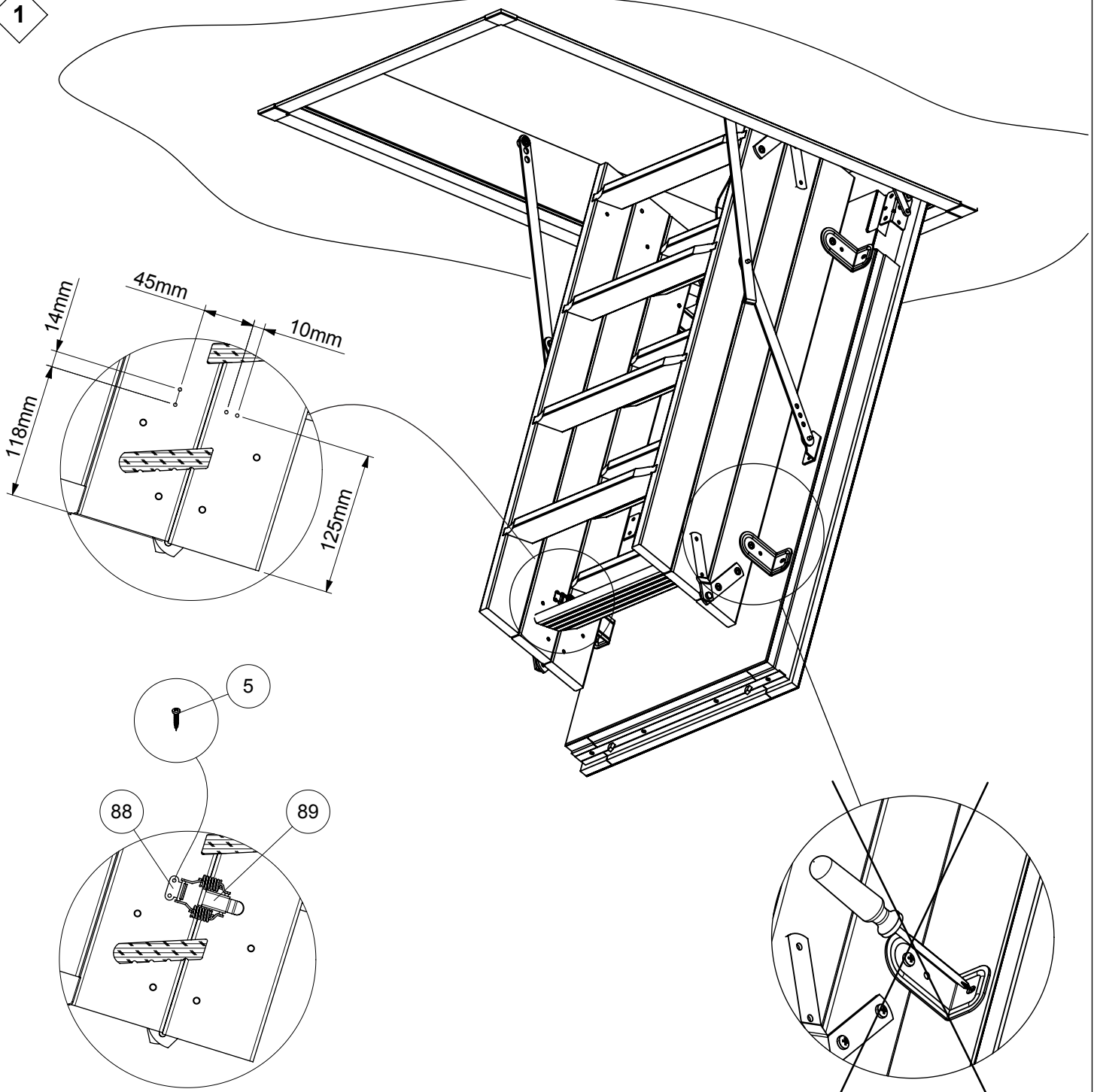


**IMPORTANT:**  
 WHERE FLOOR TO CEILING HEIGHT IS GREATER THAN 3 m  
 RELEASING THE SAFETY CATCH WHILST SUPPORTING,  
 THE LADDER MAY BE DIFFICULT.  
 IN THIS CASE WE COULD RECOMMEND THE USE OF  
 A SMALL STEP LADDER FOR SAFE OPERATION

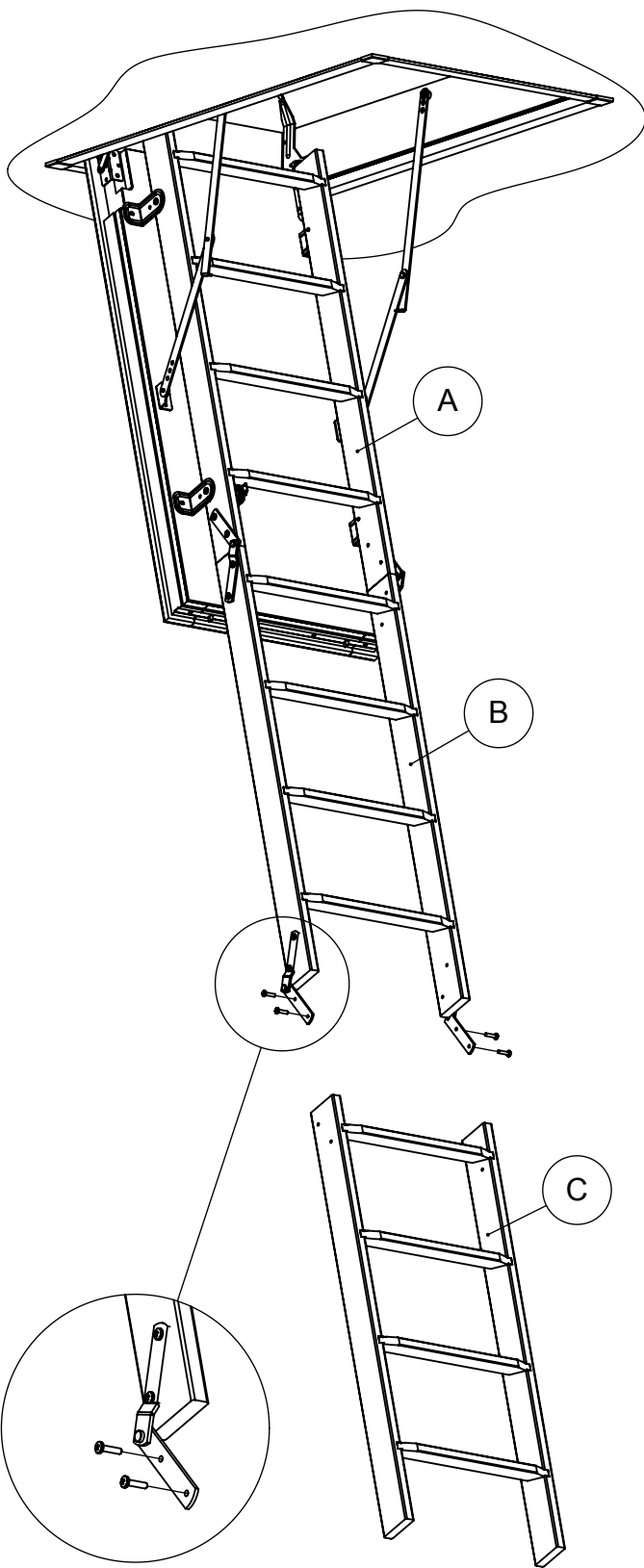


<p>5</p>  <p>R1-63210 Ø3 x 16</p>	<p>13</p>  <p>K2-22000</p>	
<p>14</p>  <p>R1-63129 M6 x 25</p>	<p>32</p>  <p>R1-63221 Ø4 x 20</p>	<p>48</p>  <p>H2-99406</p>
<p>88</p>  <p>R1-63101</p>	<p>89</p>  <p>R1-63101</p>	

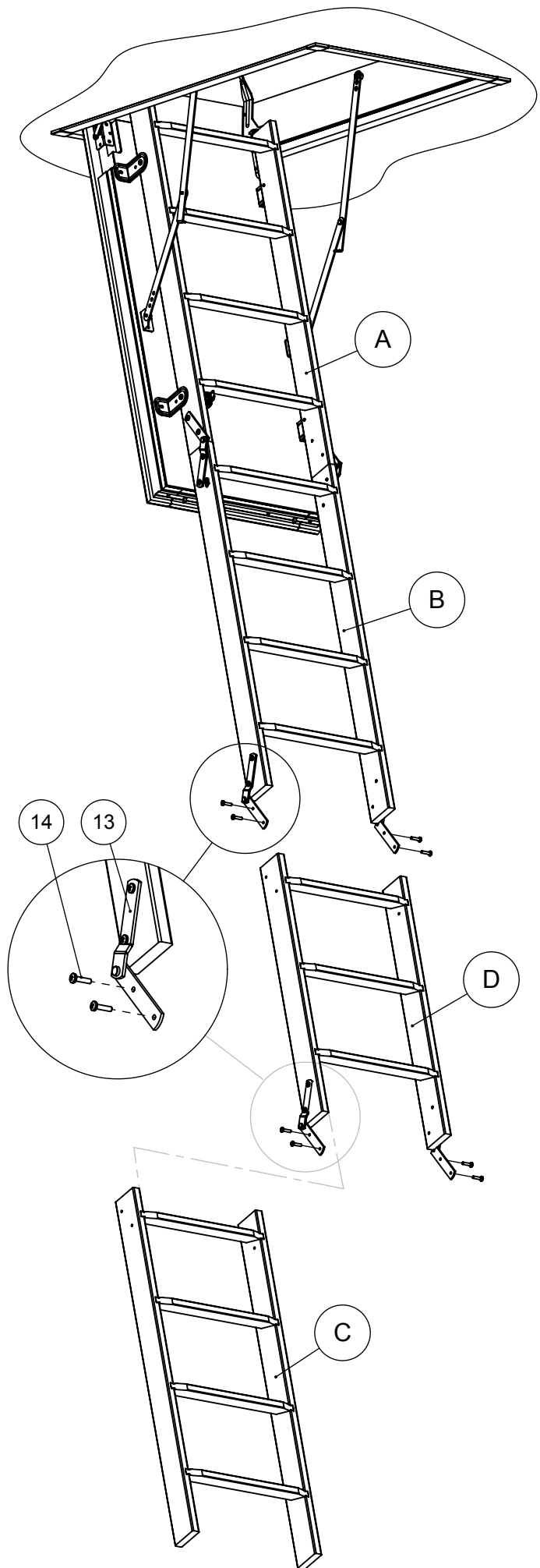
1

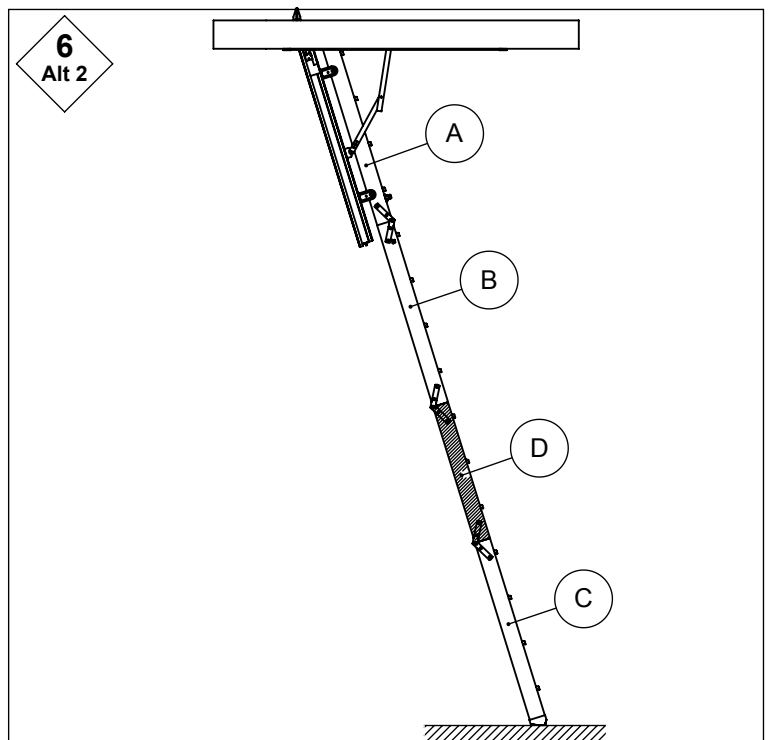
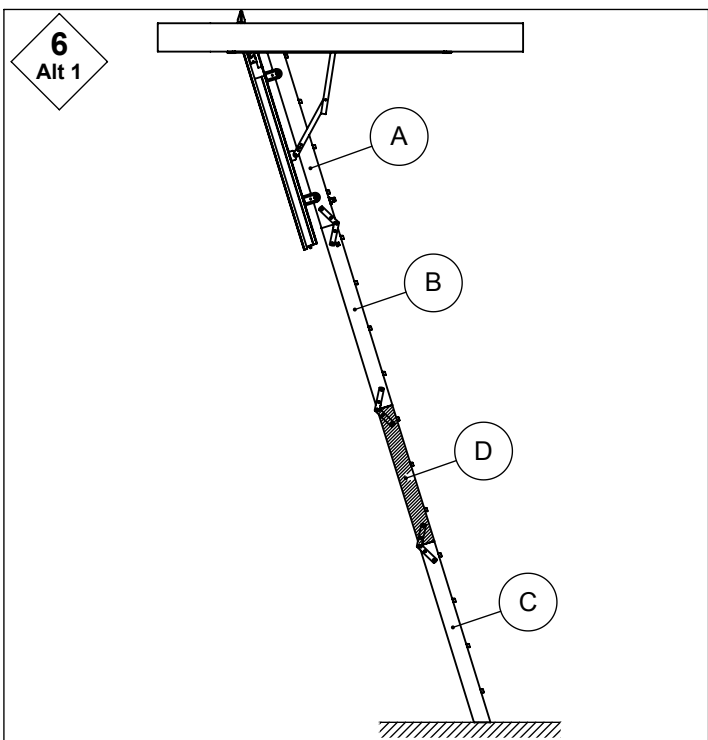
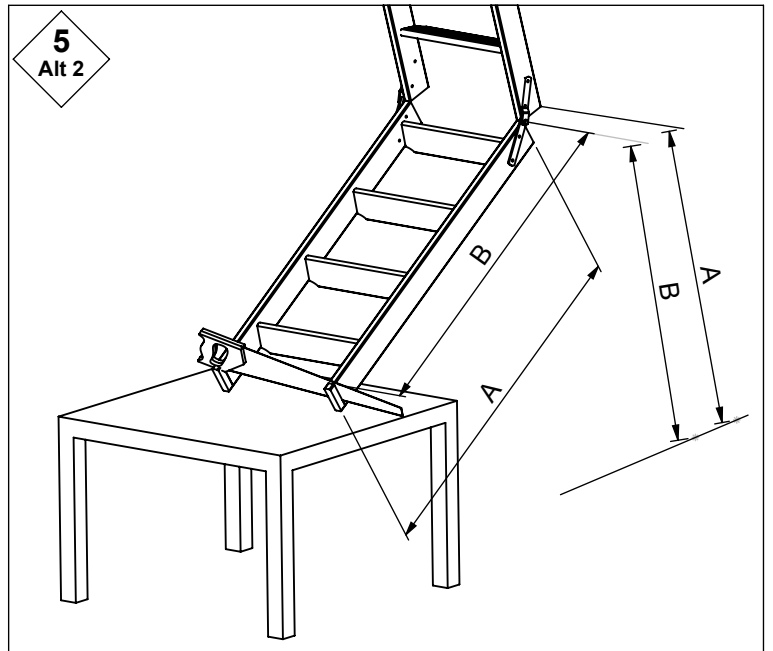
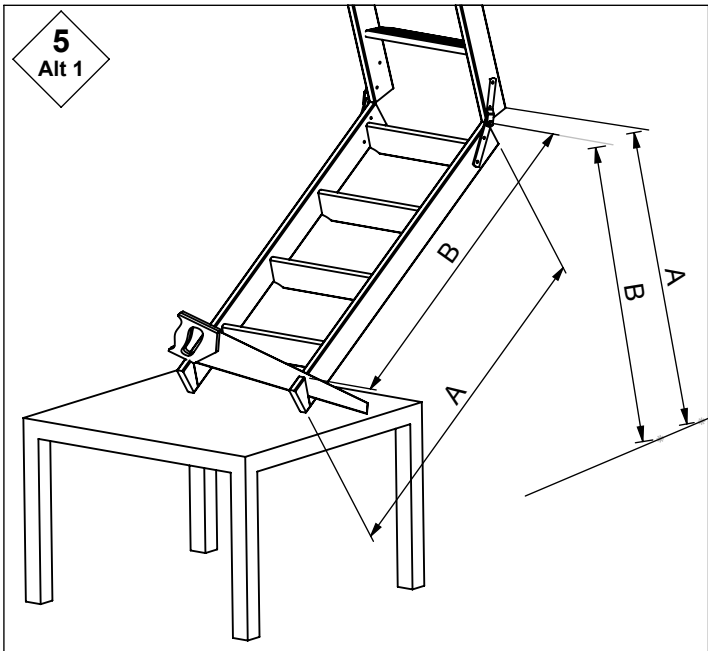
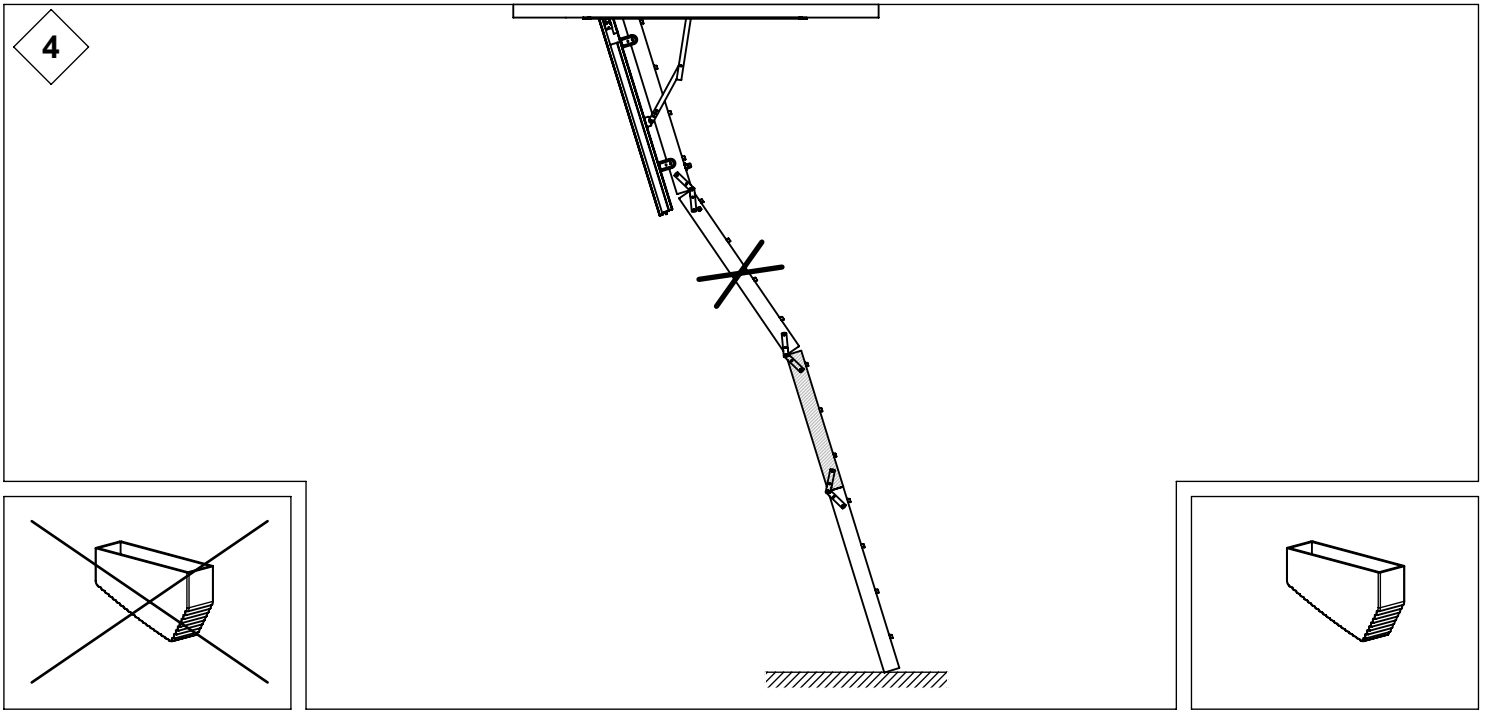


2

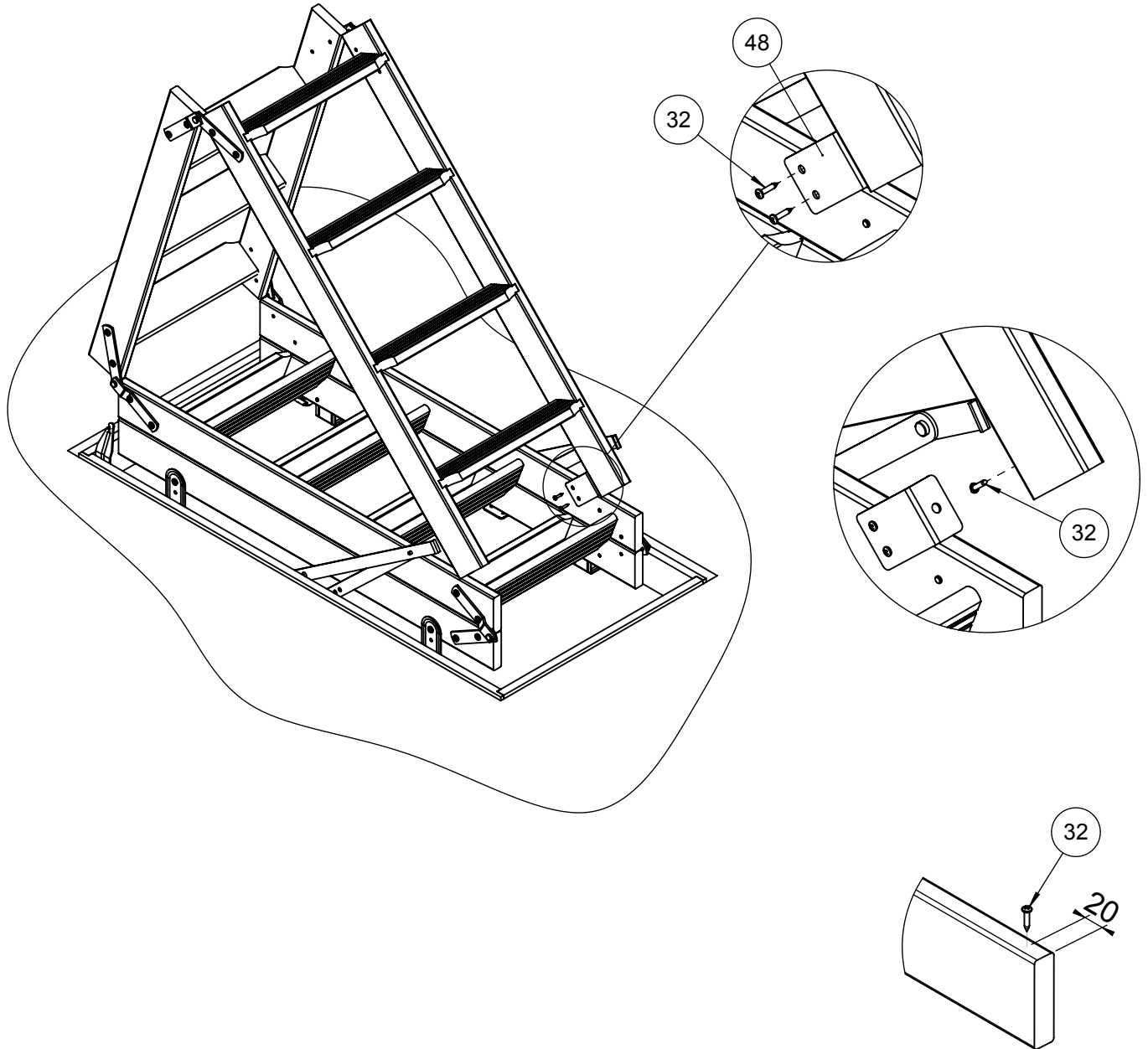


3





7



### OPERATION INSTRUCTIONS

Always follow the follow sequences:

1. Open the trapdoor using the pole provided.
2. Disengage the bottom section from the locking plate.
3. Disengage the safety lock that secures the first 2 ladder sections.
4. Unfold the ladder to the floor by holding both legs with a good grip.
5. To fold and close you loft ladder, follow the above mentioned sequences in reverse.