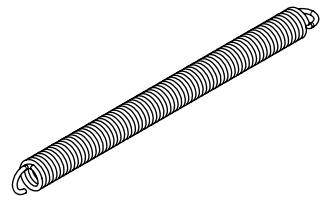
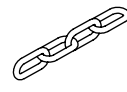


1




x 2
R1-61381

2




x 2
C1-09100

3




x 2
C1-09105

4



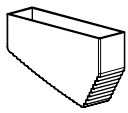
x 4
K3-06403
Ø6 x 40 - Torx 30

5



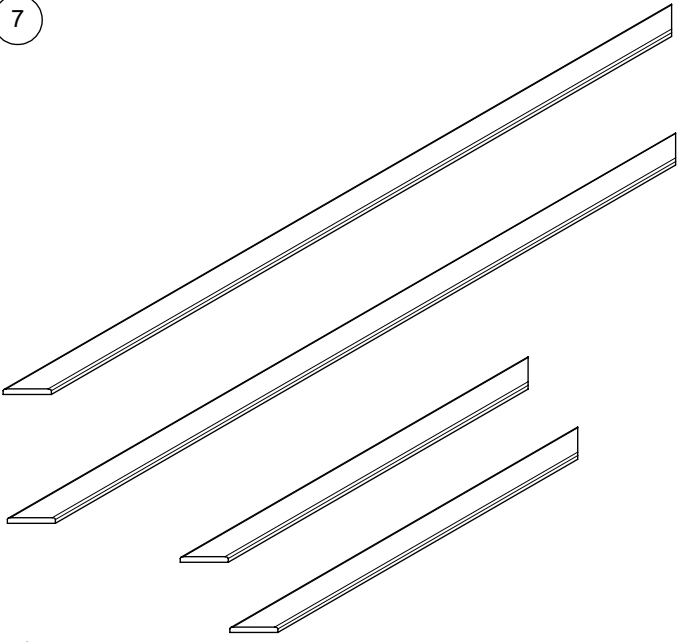
x 2
K3-06013
Ø4 x 20

6



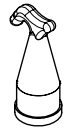
x 2
H1-69300

7



x 1


11



x 1
R1-66005

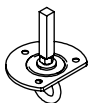
1008020

12

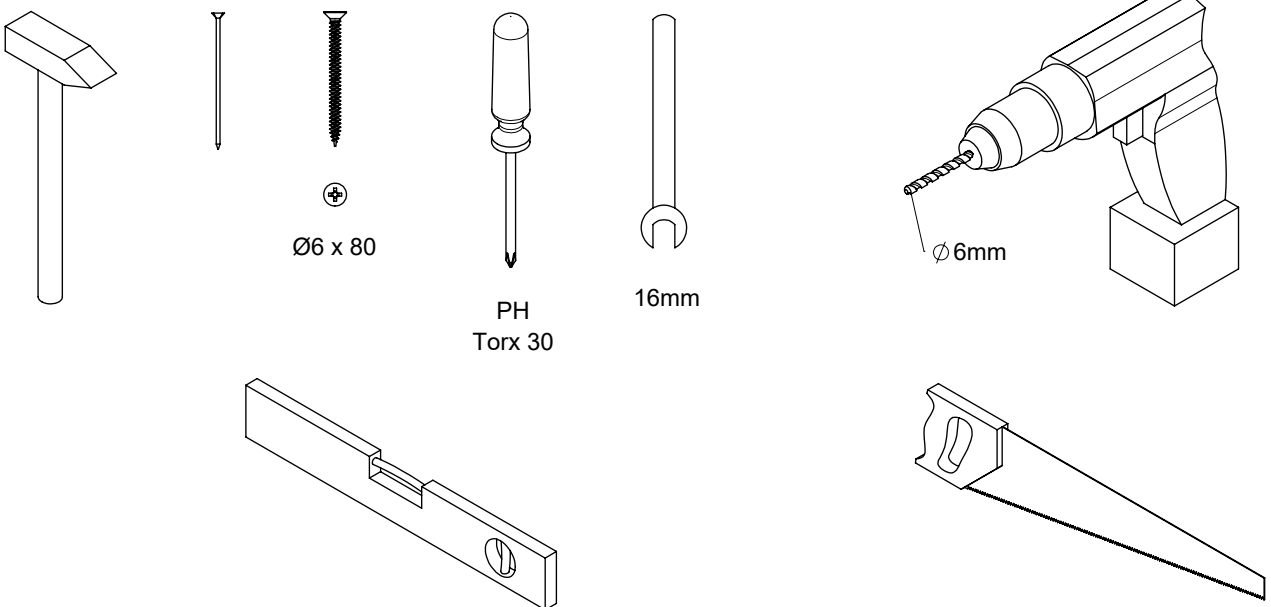


x 4
Ø4 x 25

13



x 1



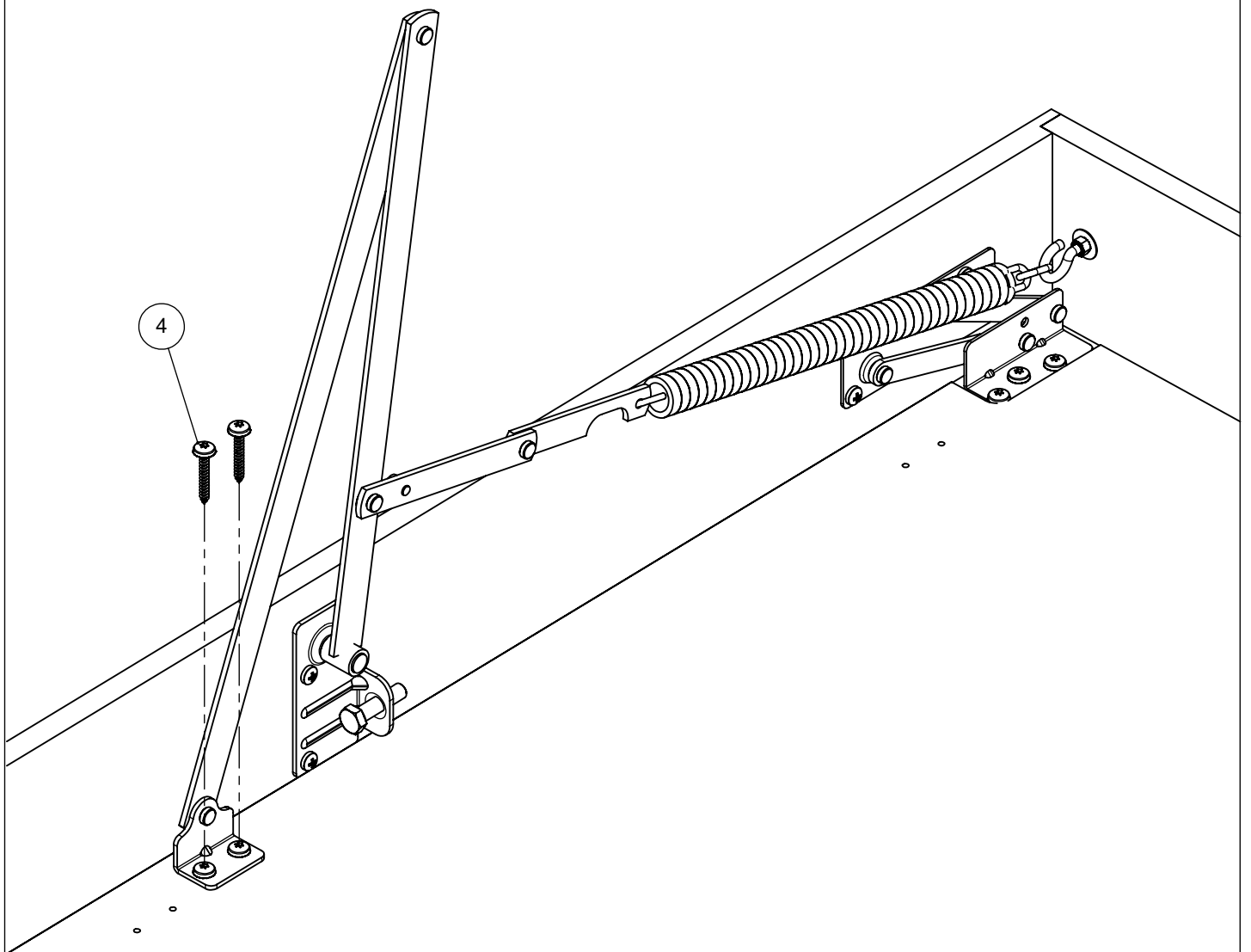
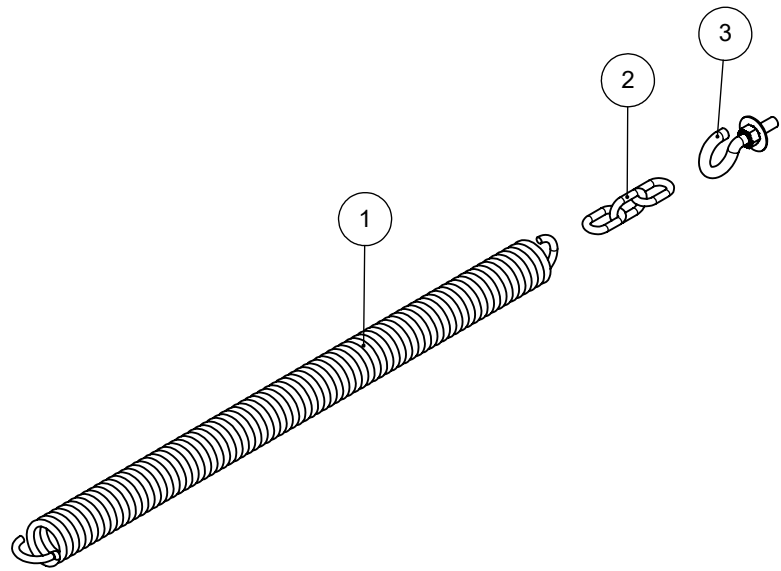
Ø6 x 80

PH
Torx 30

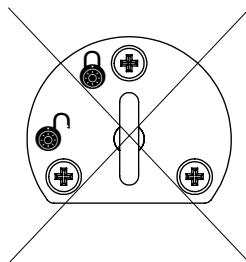
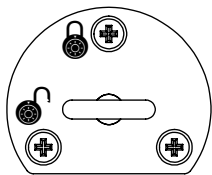
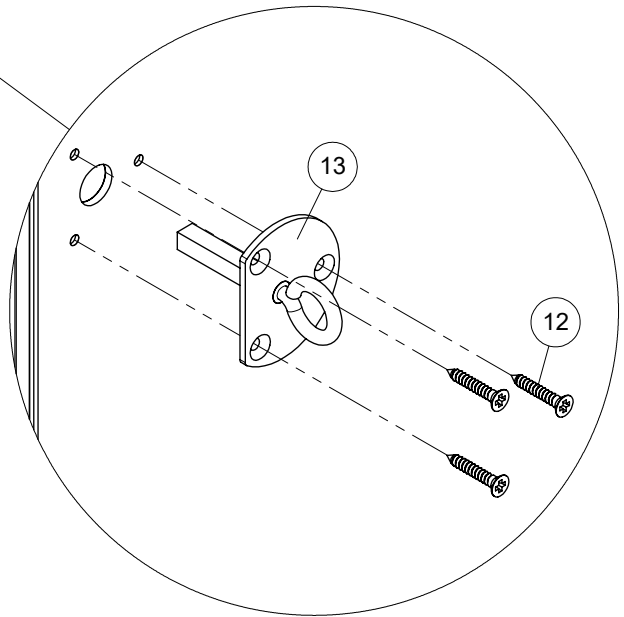
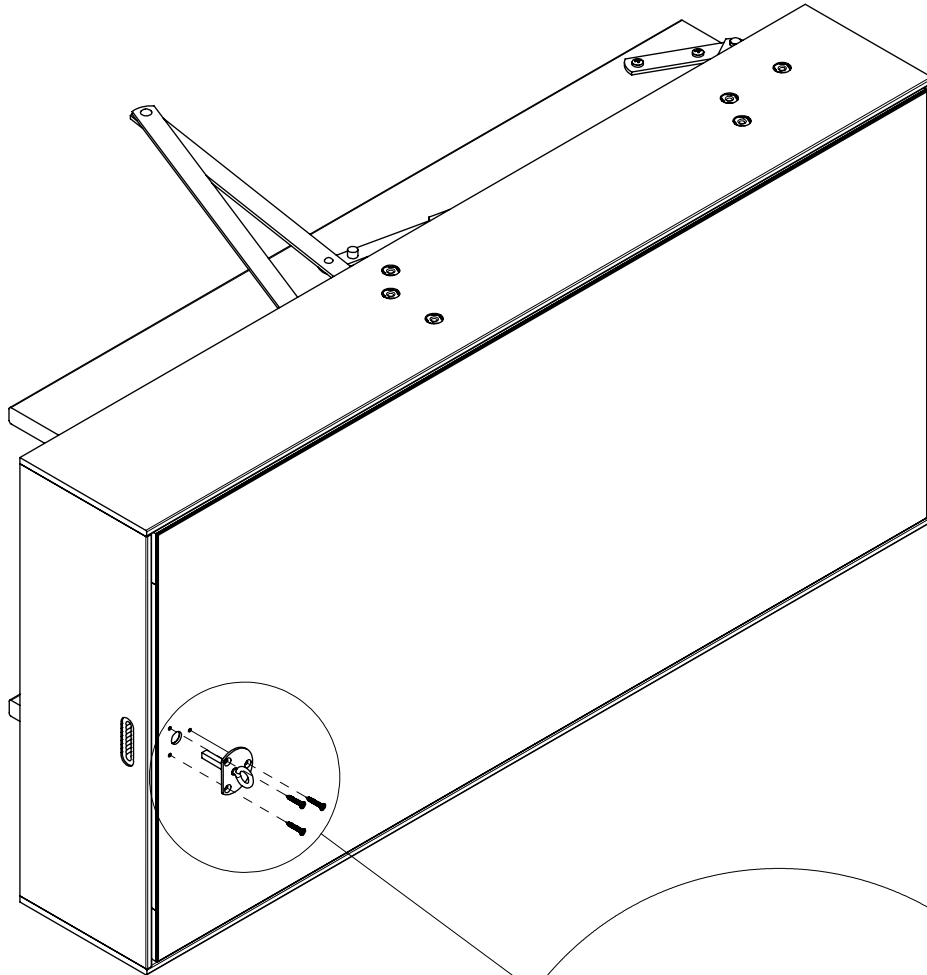
16mm

Ø6mm

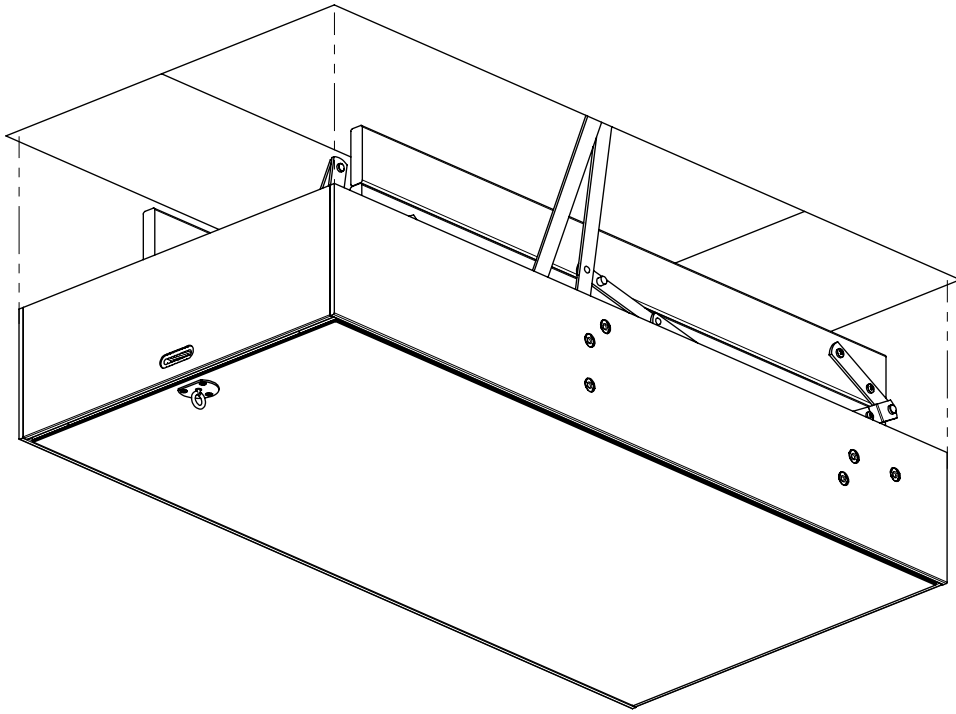
1



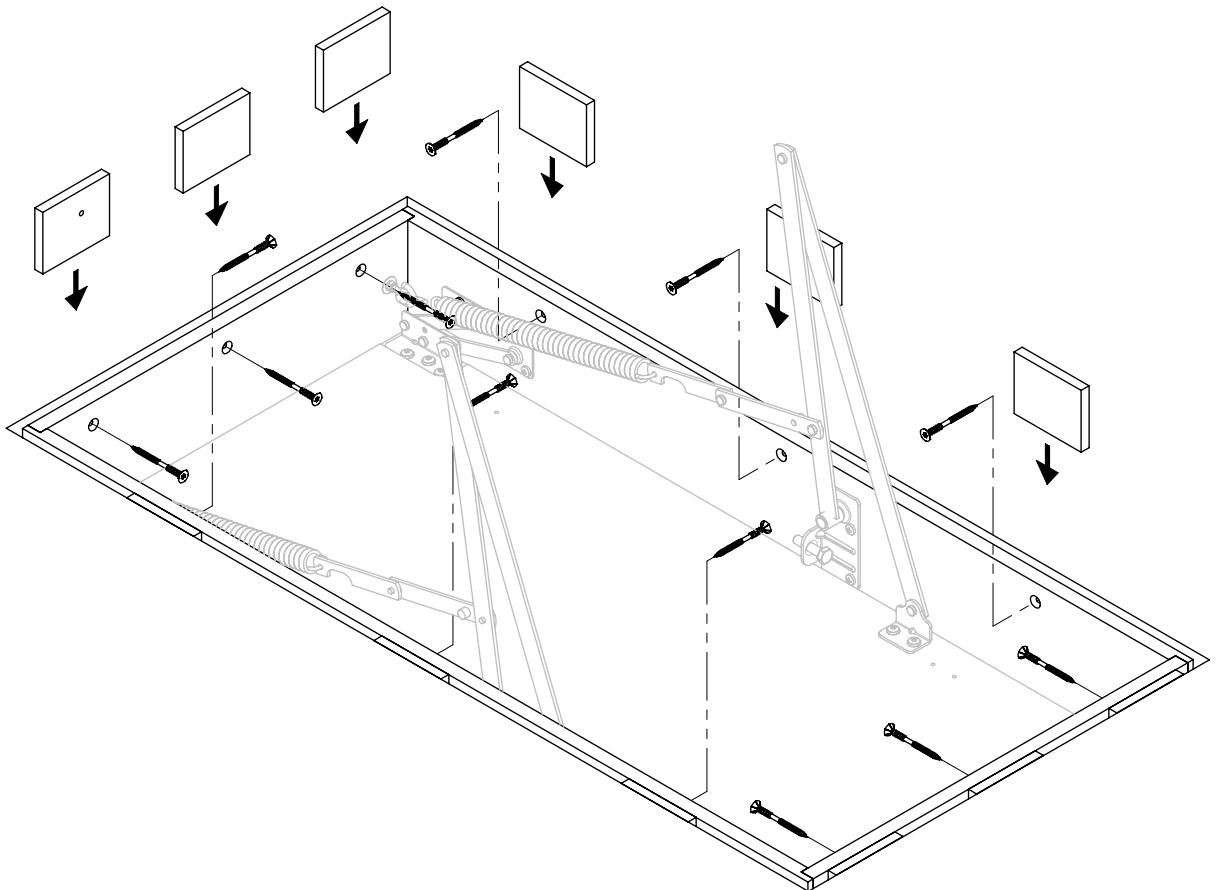
2

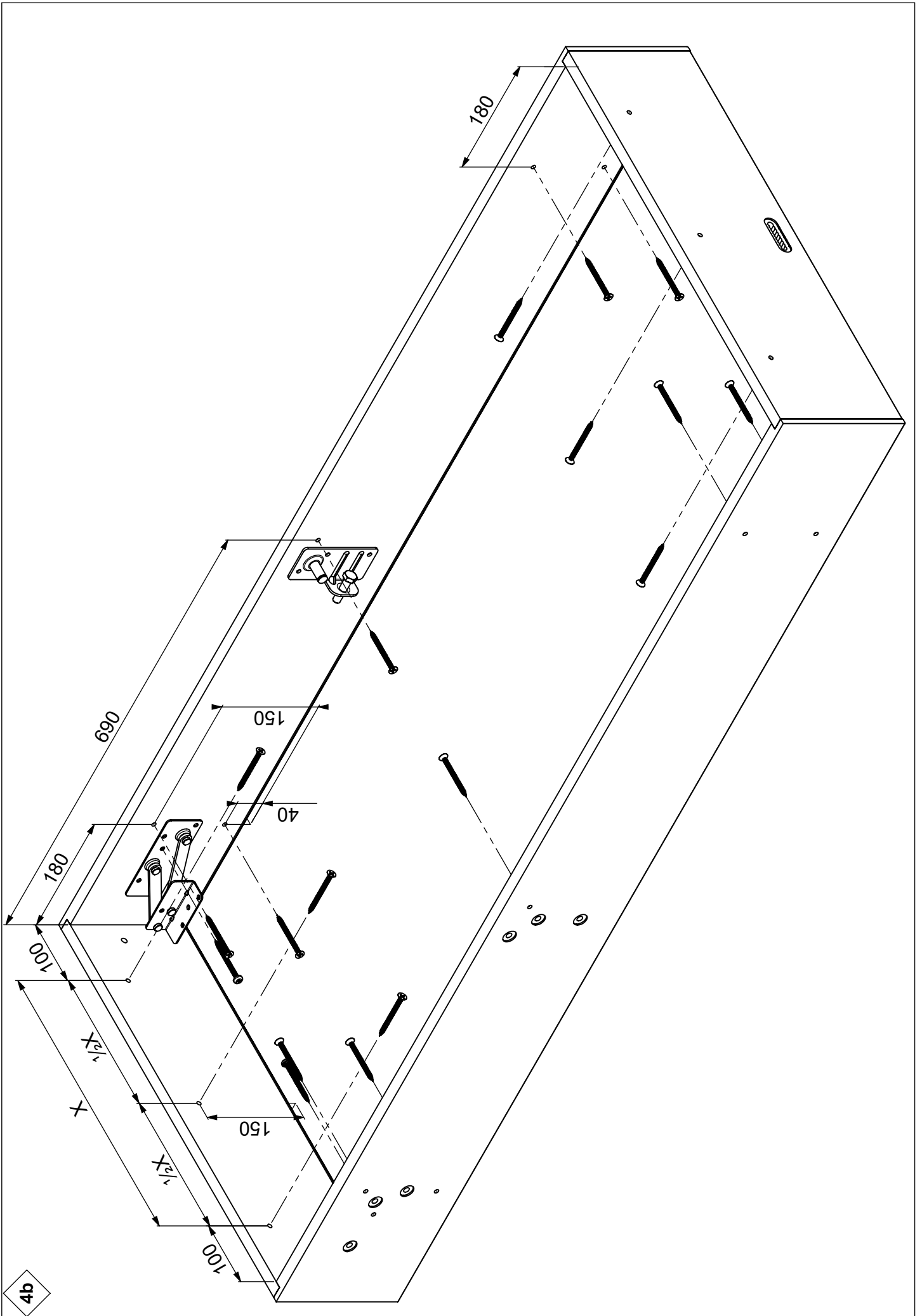


3



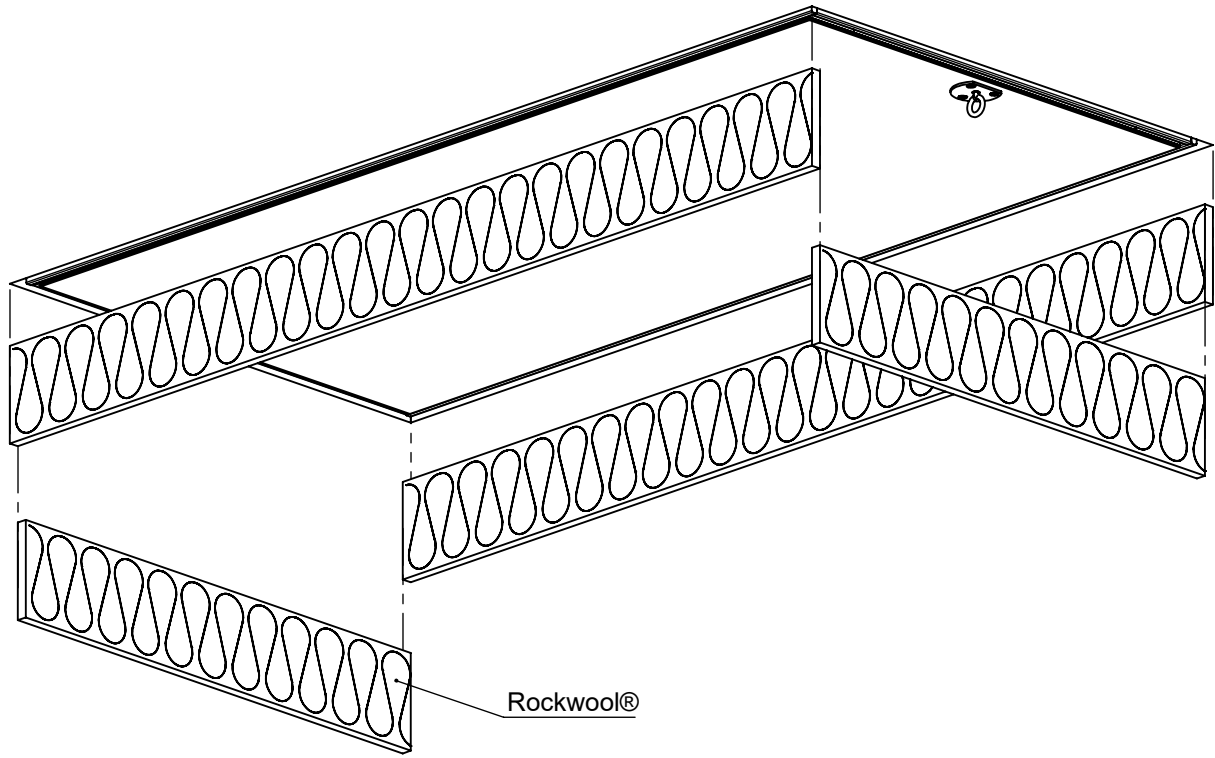
4a



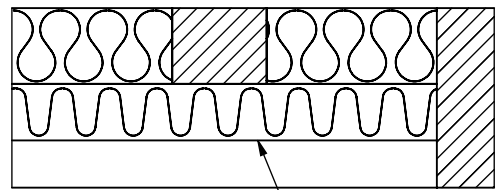
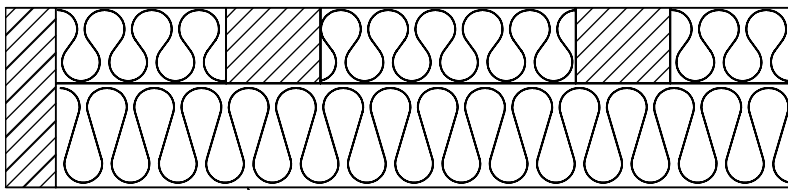


4b

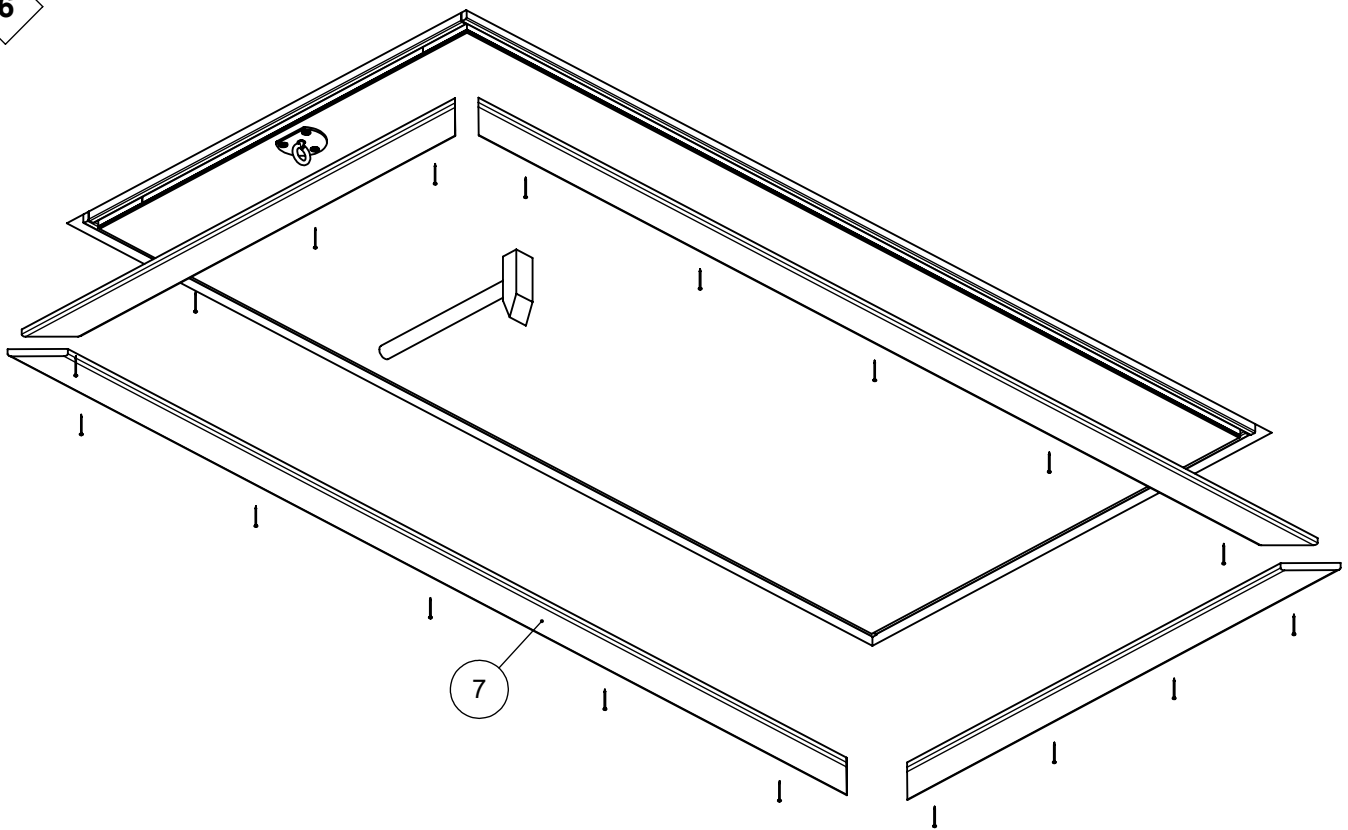
5



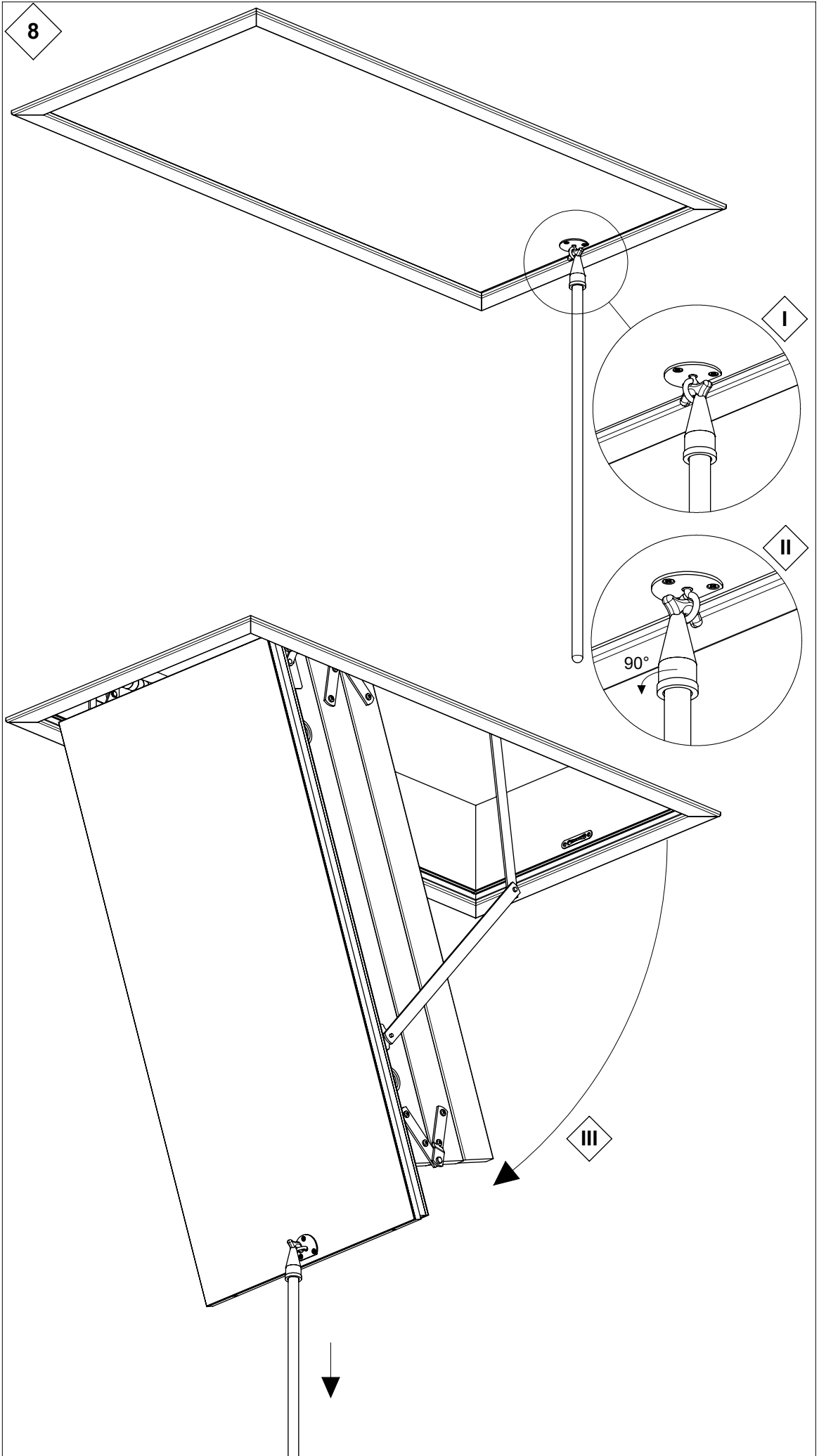
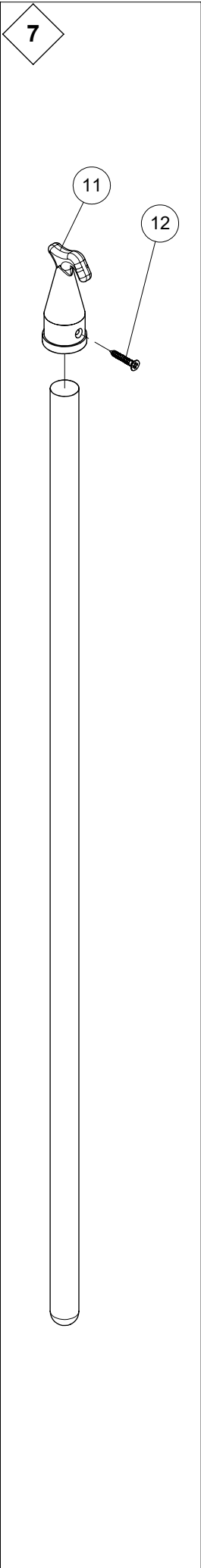
Rockwool®



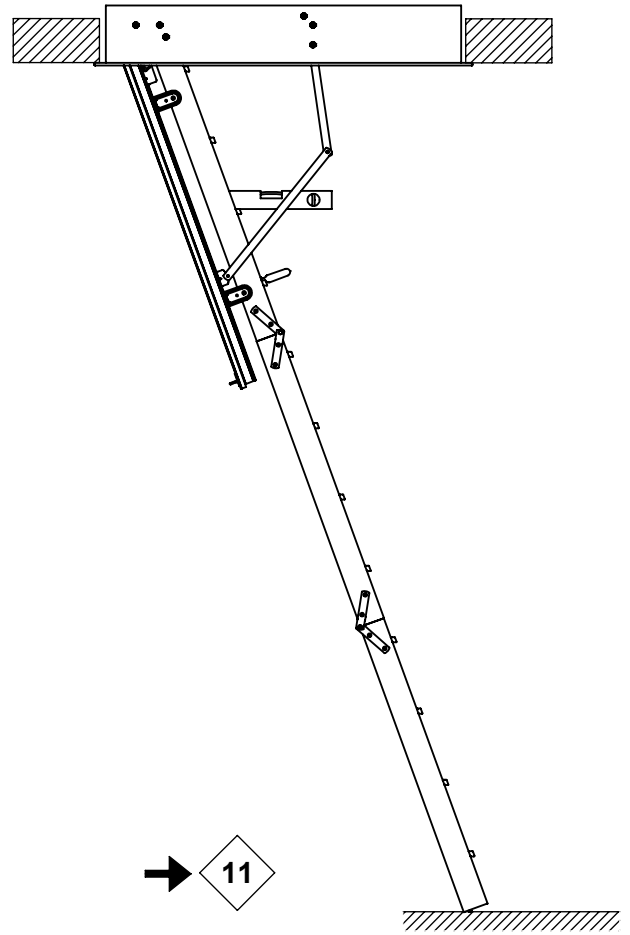
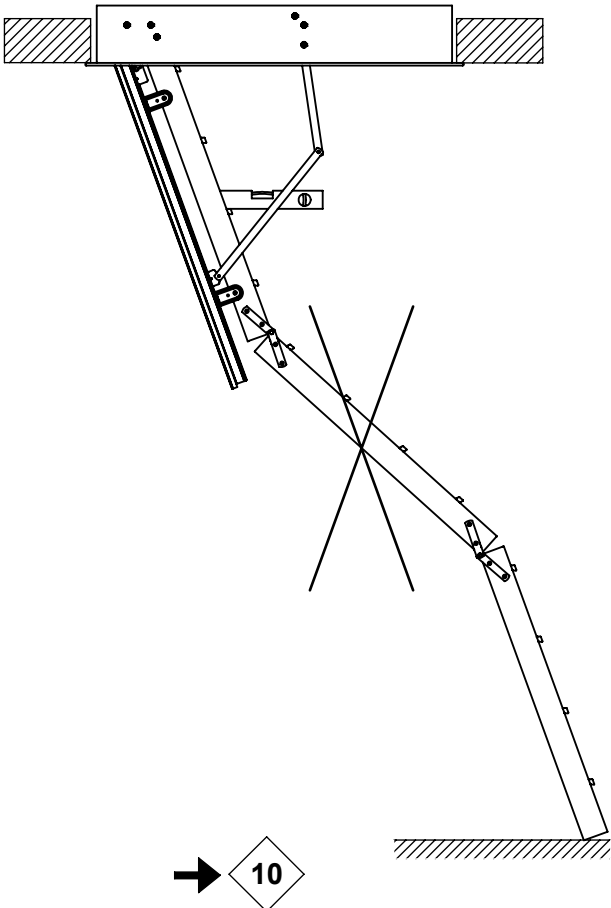
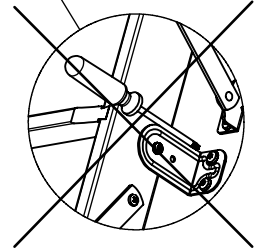
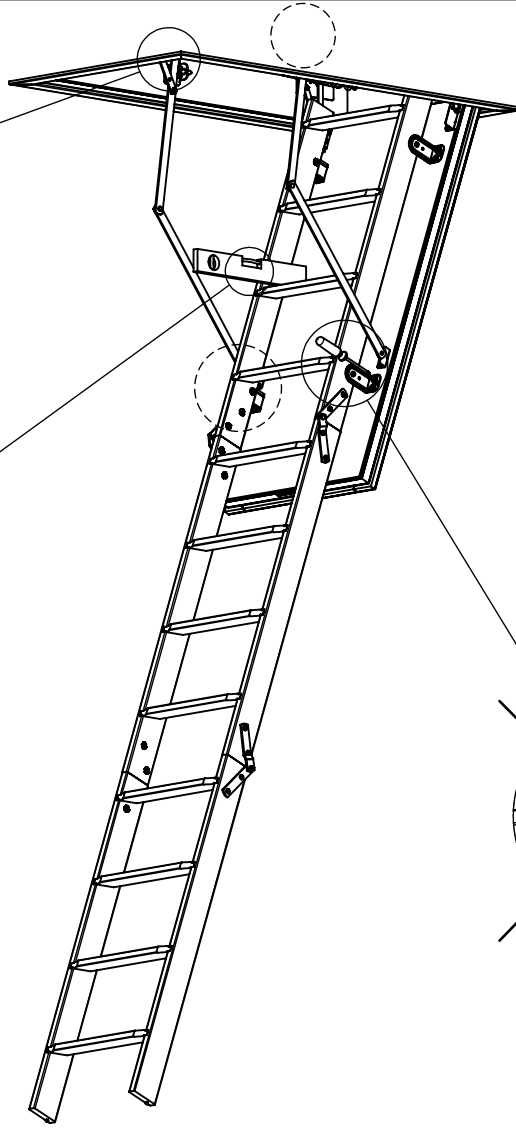
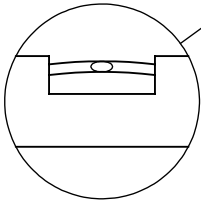
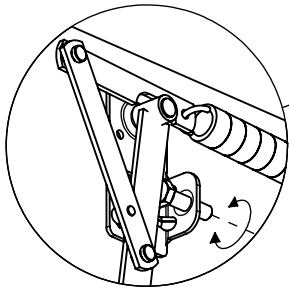
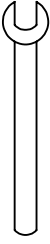
6



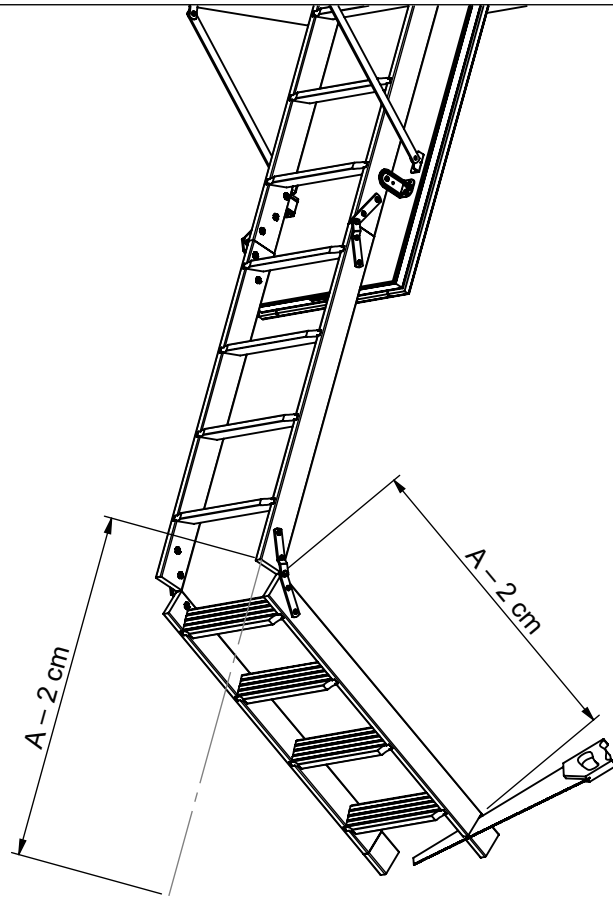
7



9



10



11

