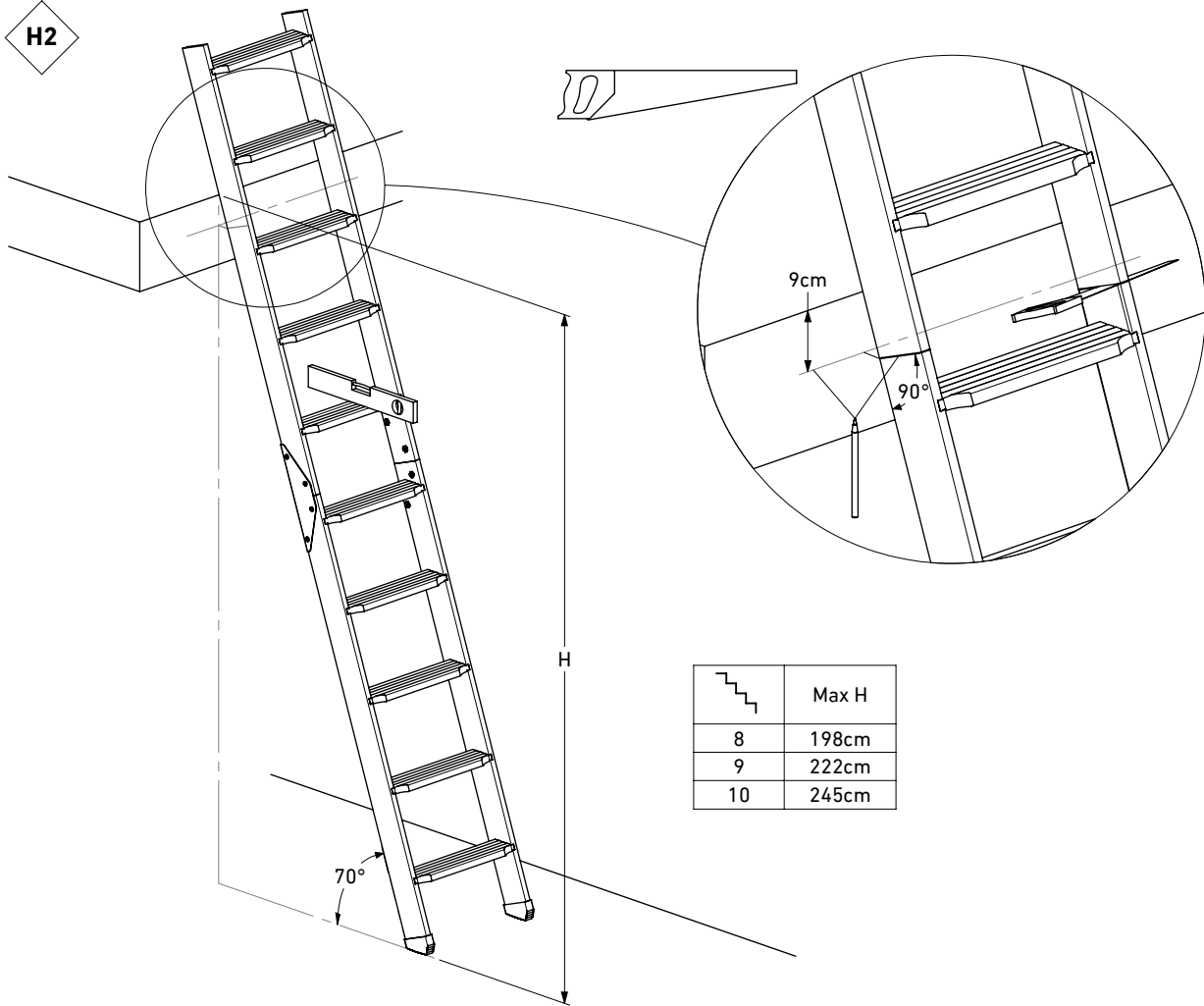
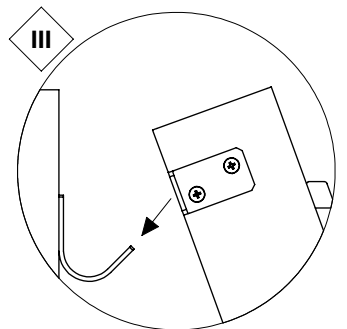
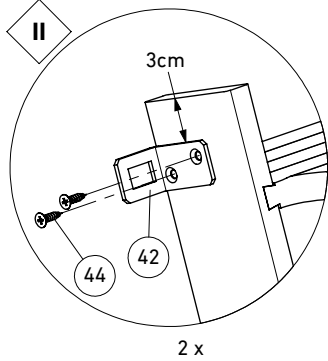
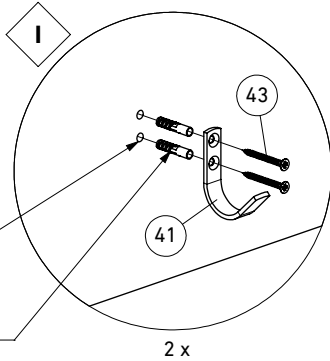
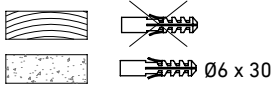
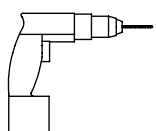
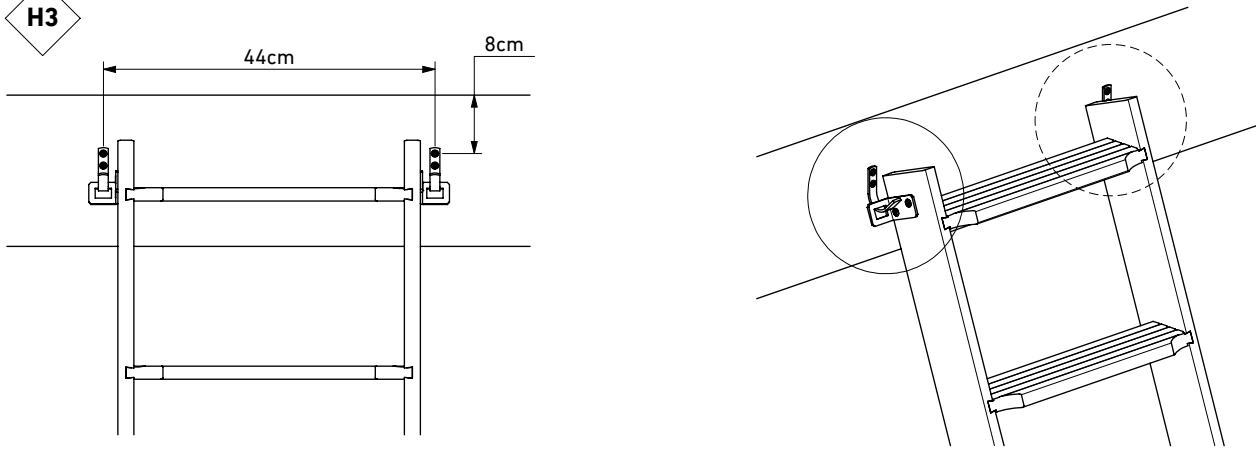


H2



H3



2 x

2 x