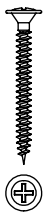


19



x 1
K3-06200
Ø4 x 40

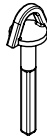


20



x 1
K1-20606

21



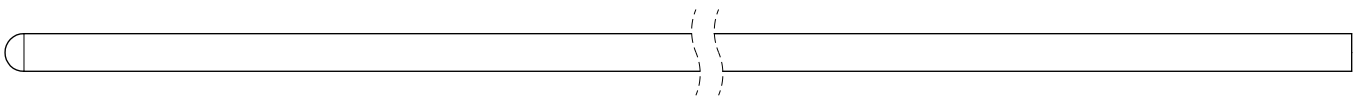
x 1
K1-20643

29



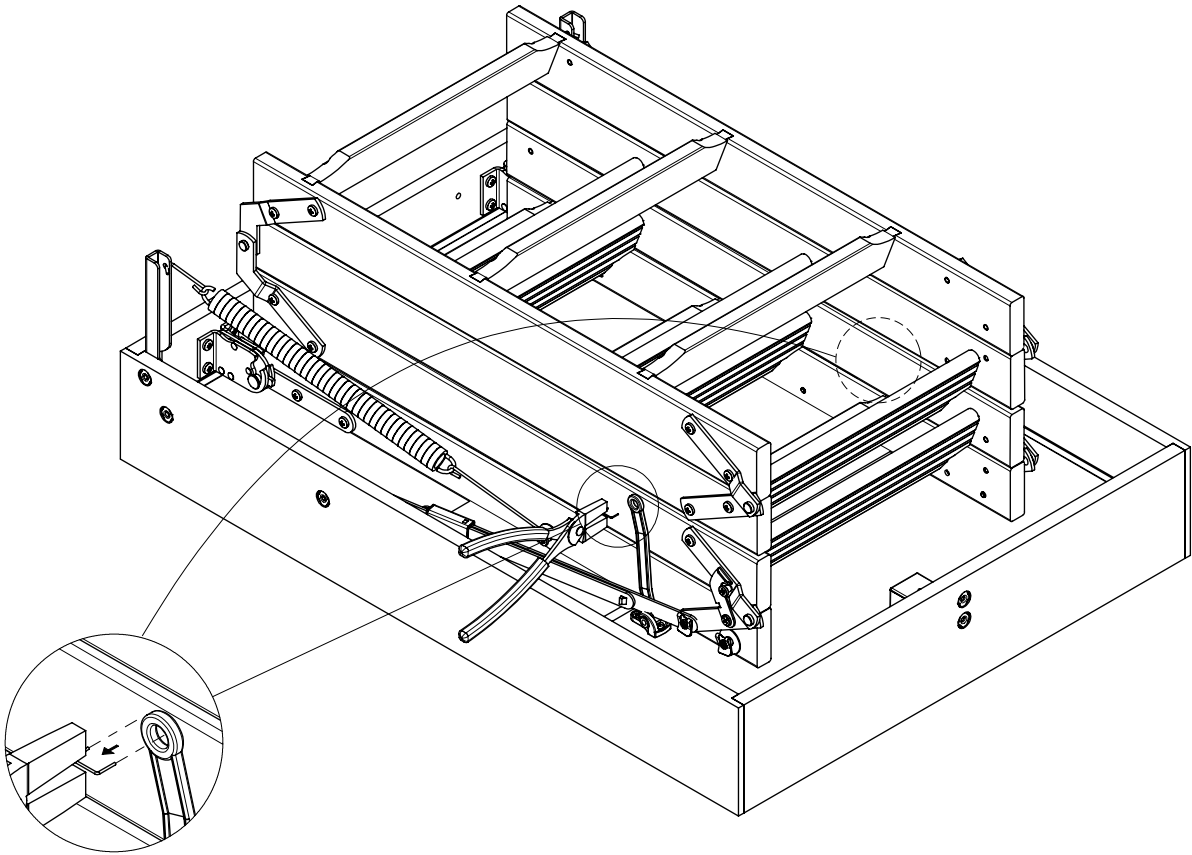
x 1
R1-66005

30

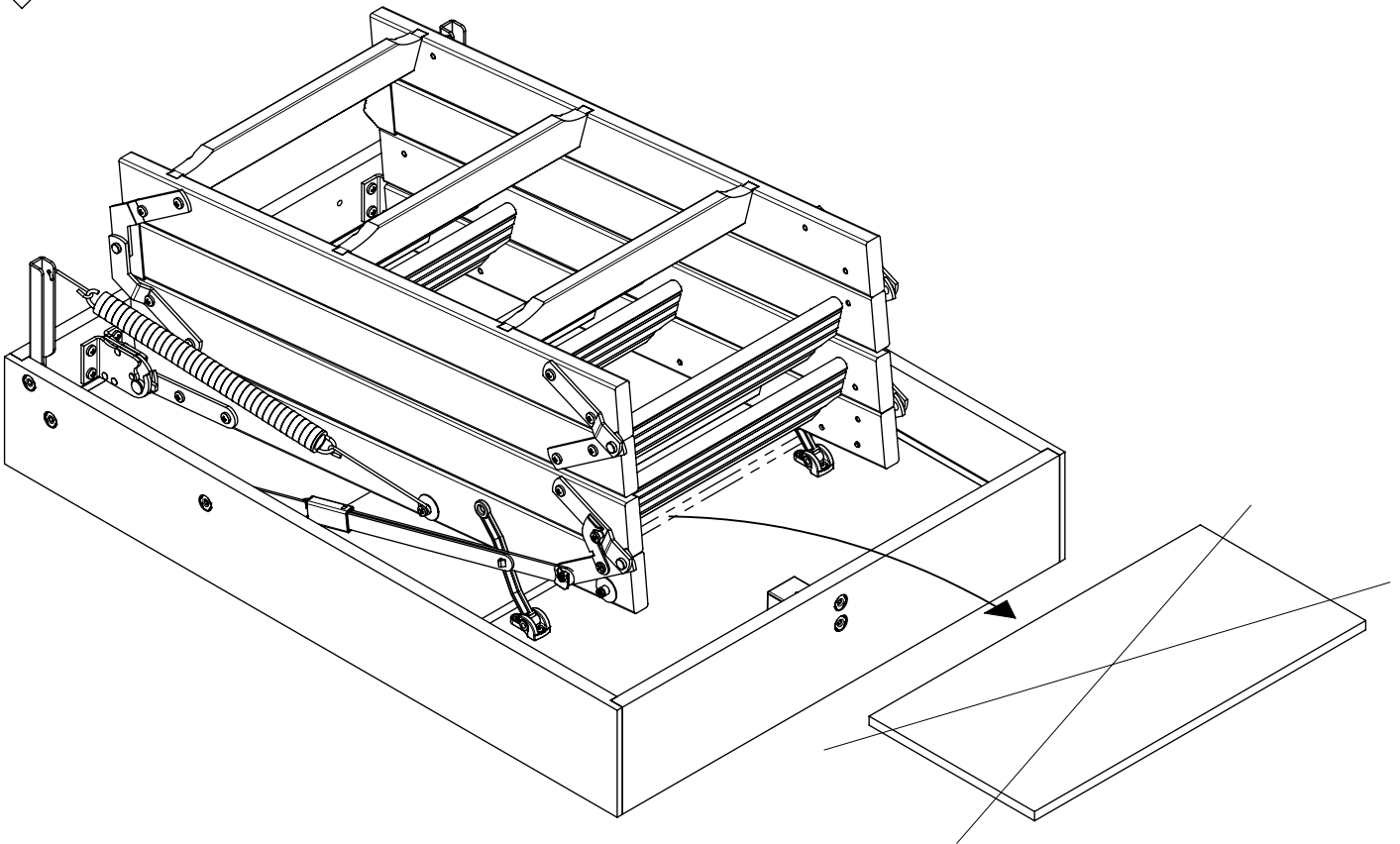


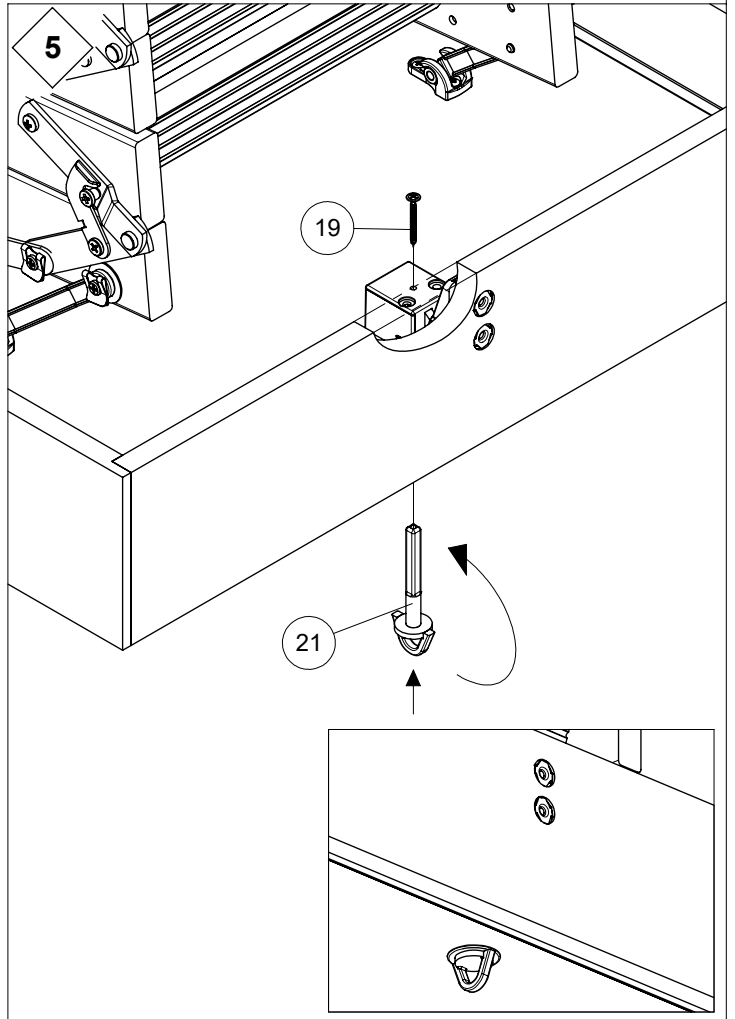
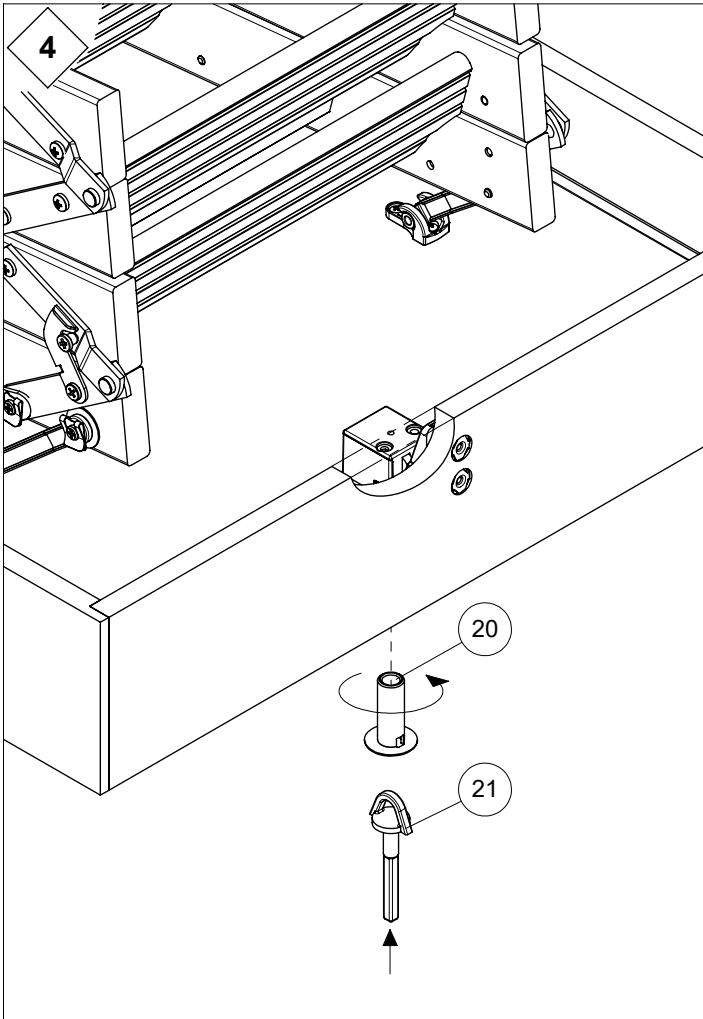
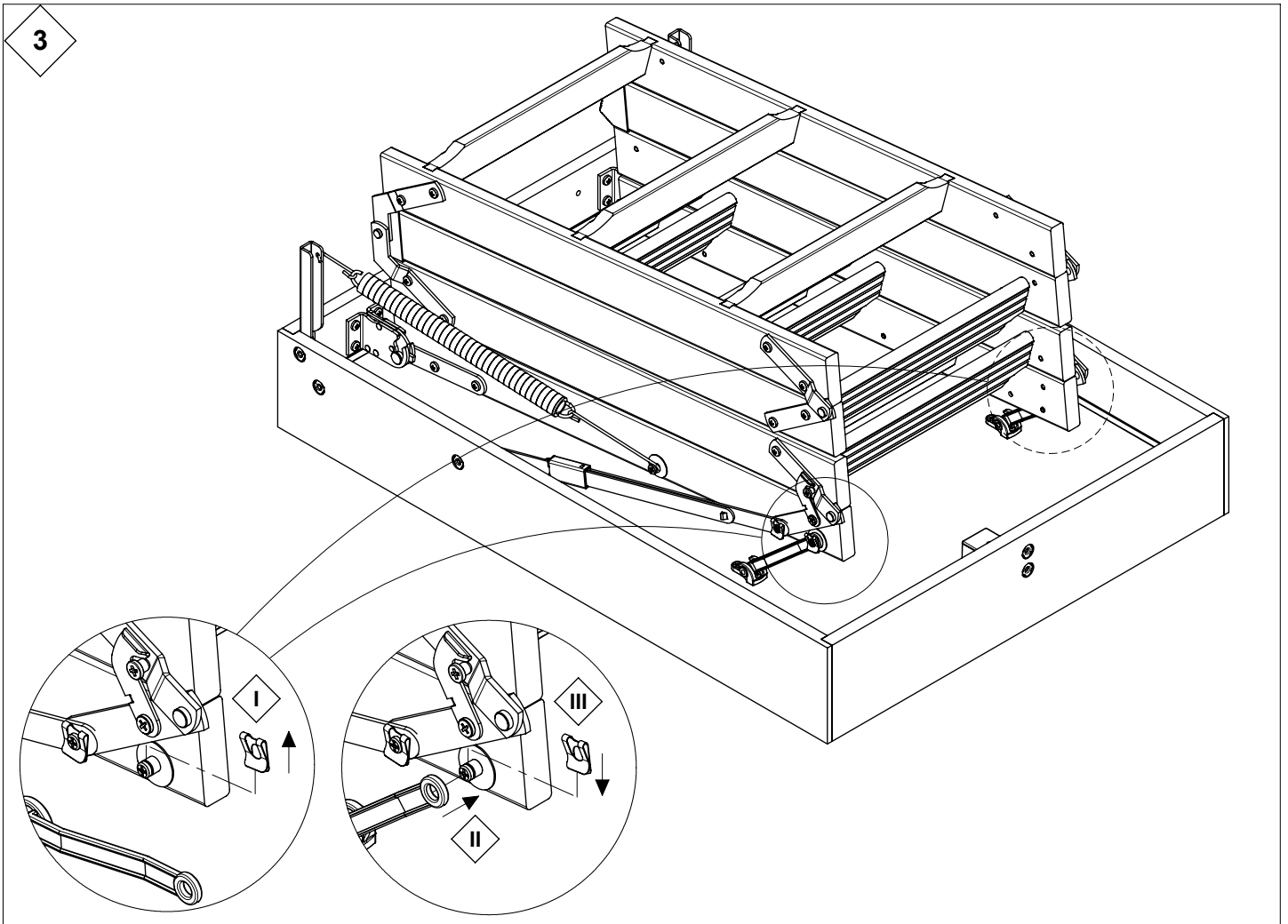
x 1
R1-40980

1

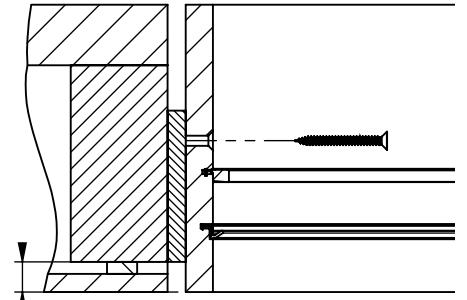
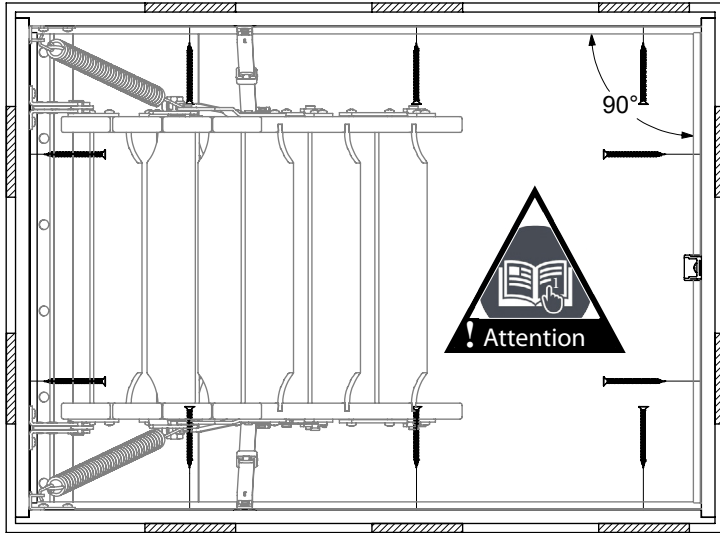


2

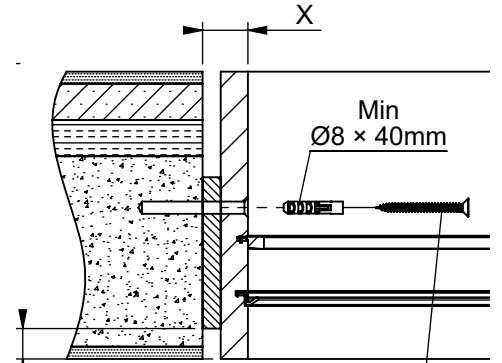




6

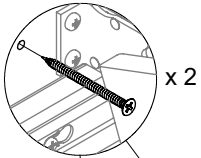
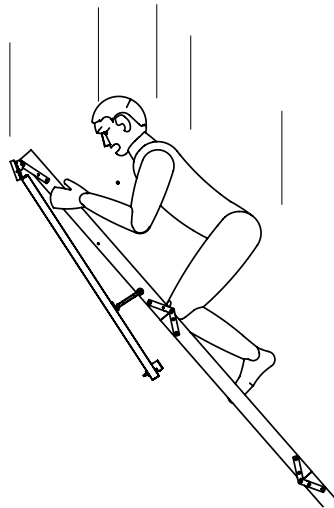
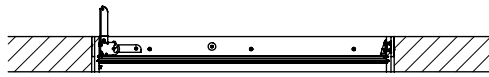


Min 20mm

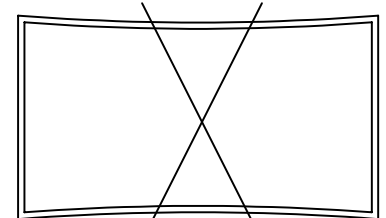
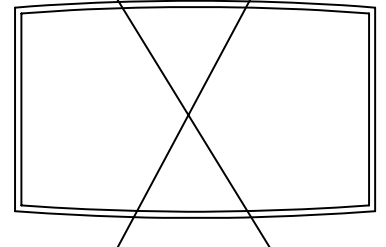
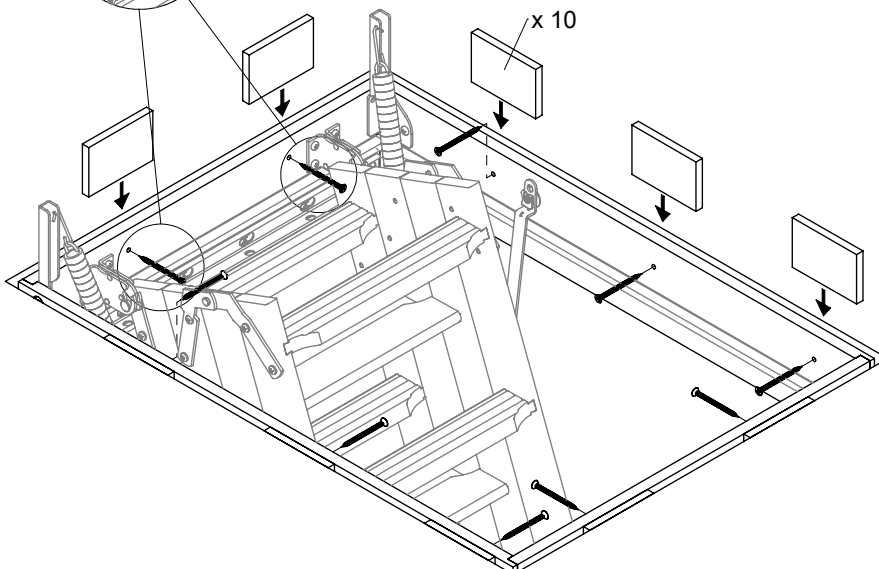


Min 20mm

Min $\text{Ø}6 \times (X+50\text{mm})$



x 2



7

