



Attic ladders



Space saving staircases



Modular staircases



Spiral staircases



Main staircases



F 90

Fire Resistant Attic Ladder

- 3-section folding attic ladder in a fire resistant construction - requires no headroom or storage space in the loft.
- Tested from above and below according to: EN 1364-2:1999-10 and EN 1363-1:1999-10
- Supplied with gypsum board architraves.
- Draught excluder contained in casing and fire resistant trapdoor consisting of 50 mm rockwool with 10 mm gypsum board on both sides.
- Made to measure. Floor-to-ceiling height up to 327 cm.
- Sturdy spring counter balancing system for smooth and effortless operation.
- Non-slip treads and plastic feet for extra security.
- Hidden trapdoor hinges make it easy to paint, varnish or clad the trapdoor.
- Specially developed height adjustment system.
- Casing and trapdoor with a rebate for extra tight closing.
- Easy operation – delivered with push/pull rod.
- Ladder assembled for easy and quick installation.
- Unique robustness: Tested according to EN 14975, test load 265 kg, - max working load 150 kg.

F 90

Technical data (model no. 10900)

Number of treads	Floor-to-ceiling height max. (A)	Max landing space (B)	Max swing clearance (C)	Min. casing length
11	264 cm	128 cm	164	117,5 cm
12	280 cm	137 cm	164	117,5 cm
13	312 cm	147 cm	164	137,5 cm
14	336 cm	156 cm	164	137,5 cm

Special measure:

D: Casing size

Casing width: min. 57,6 cm / max. 79 cm. Casing length: min. 117,5 max. / 147,5 cm.
Casing width x length = max. 0,93 m². At floor-to-ceiling heights over 280 cm, the casing length = min. 137,5 cm.

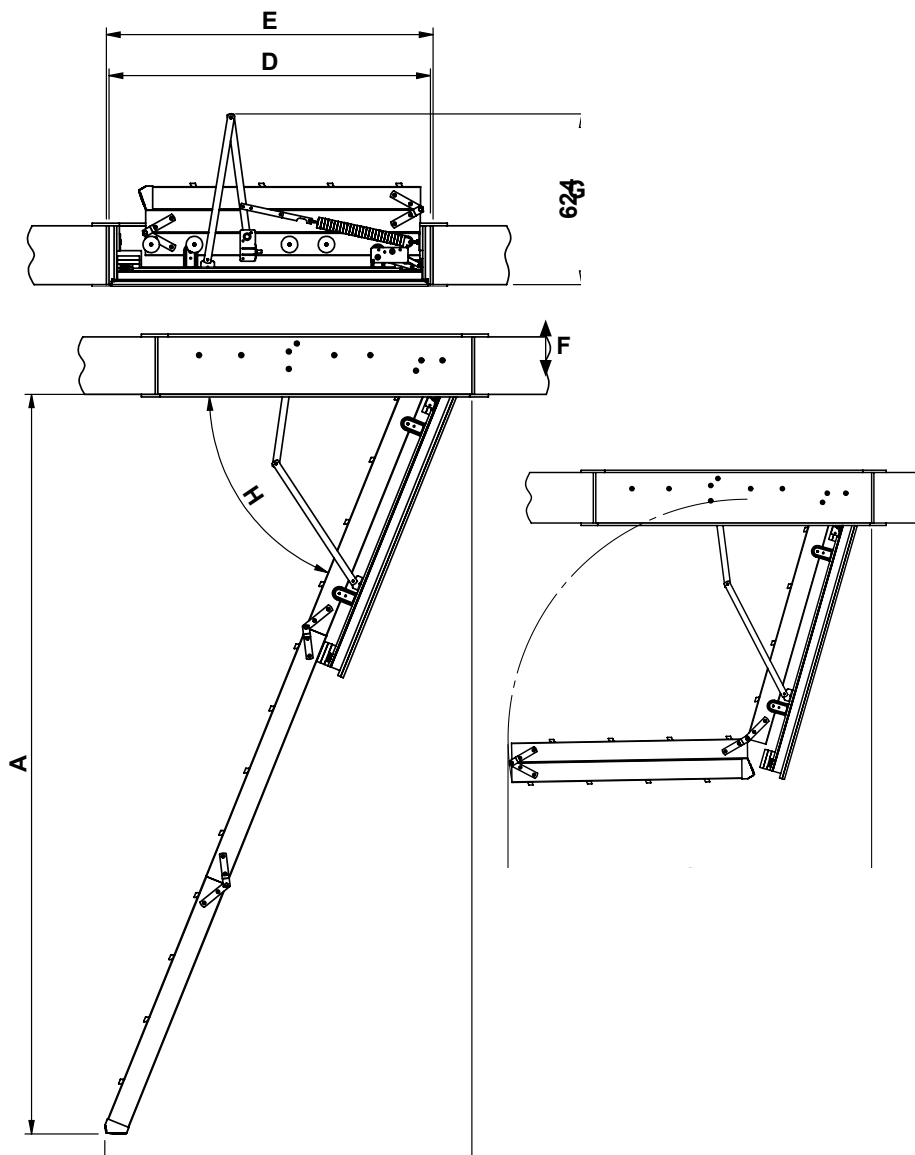
E: Opening size

Opening length = casing length + 2,5 cm and opening width = casing width + 2,4 cm

F: Casing height can vary between 19 and 80 cm

G: 624 mm

H: 68-74°



Casing

Material: blockboard and gypsum board

Thickness: 38 mm

Height, standard: 190 mm

Unless otherwise specified:

Height, special: 190 mm

The lower edge of the casing is rebated and has a draught excluder, which ensures tight closing.

Trapdoor

Material: 50 mm oak frame, 50 mm rockwool with 10 mm gypsum board on both sides

Thickness: 70 mm

Insulation: 50 mm rockwool

Insulation coefficient: 0,58 W/m² °C in insulated area calculated according to EN 14975

Ladder

Treads: beech

Strings: pine

Width: 400 mm

Distance between treads: 250 mm

Tread dimensions

Thickness: 18 mm

Depth: 83 mm

String dimensions

Thickness: 21 mm

Depth: 83 mm

All treads have a non-slip surface and treads and strings are dovetail

Accessories

- Guardrail
- Metal handrail